

TY3550A
Batch 000000

Toyota Estima / Emina / Lucida

COMPONENTS

ITEM	QTY	DESCRIPTION
A	1	Towbar
B	1	Towbar Neck
C	1	Side Arm (L/H)
D	1	Side Arm (R/H)
E	1	Strap with Captive Nut

BOLT PACK

ITEM	QTY	DESCRIPTION
F	4	M16 x 50 Bolts, Nuts & Washers
G	7	M12 x 35 Bolts, Washers & 6 Nuts
H	4	M12 x 35 Bolts, Nuts & Washers
I	5	M12 Heavy Duty Washers – 30mm o/d
J	12	M12 Heavy Duty Washers – 23mm o/d
K	2	Exhaust Hanger Rubbers (75mm centres)

FITTING PROCEDURE

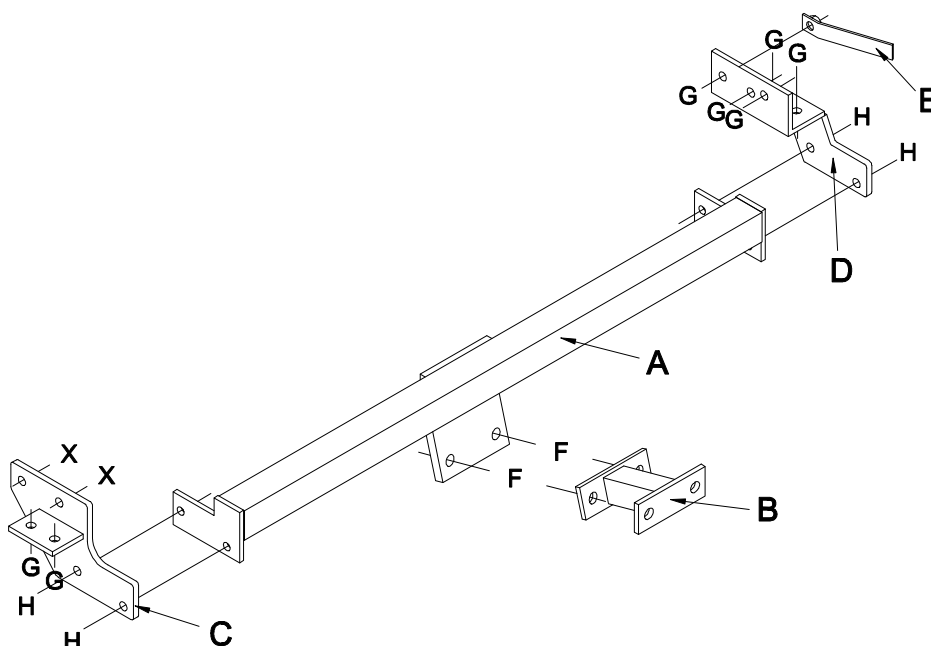
- ⇒ Lower the spare wheel to improve access to the chassis rails.
- ⇒ Remove bumper (4 bolts under the chassis and 2 tip screws at each side, disconnect the number plate wiring). Remove and discard the central bumper bracket, and metal strap on the R/H side if fitted.
- ⇒ Lower the exhaust from its rearmost hangers. Temporarily remove the exhaust bracket and heat shield.
- ⇒ Remove and discard the towing / lashing eye bolted to the left hand chassis rail and retain the bolts. Locate the existing M8 captive nuts in the horizontal section of each chassis rail (At rearward position (G)) and drill out to 14mm o/d.
- ⇒ Loosely attach the L/H side arm (C) to the existing captive nuts in the vehicle chassis using existing bolts (X). Loosely attach side arm (C) to the existing holes in the horizontal section of the chassis using bolts (G) with M12 washers (J) under the bolt heads and M12 heavy duty washers (I) inside the chassis.
- ⇒ On the R/H/S locate the blanked holes in the vertical section of the chassis rail (At positions (G)) and drill out to 14mm o/d. Note: On certain models these holes may already be present. Loosely attach the R/H side arm (D) to the vertical section of the chassis using three bolts (G) with M12 washers (J) under the bolt heads, and inside the chassis M12 washer (I) on the rearward position, M12 washer (J) on the centre position and captive strap (E) on the forward position. Note: Trap the exhaust heat shield between the towbar and chassis (It may be required to drill the heat shield at positions (G)).
- ⇒ Loosely attach side arm (D) to the existing holes in the horizontal section of the chassis using bolts (G) with M12 washers (J) under the bolt heads and M12 heavy duty washers (I) inside the chassis.
- ⇒ Attach towbar (A) to side arms (C) & (D) using bolts (H) with washers (J) on the outside of plates (C) & (D).
- ⇒ Refit bumper and reconnect number plate wiring. Reattach exhaust bracket to the chassis and re-hang exhaust onto its hangers
Note: On certain models, due to variances between exhaust systems, it may be required to bend the hangers/use replacement exhaust rubbers (K) to give sufficient clearance between the rear exhaust silencer and the towbar. Raise spare wheel.
- ⇒ Attach towbar neck (B) to towbar (A) using bolts (F).

TIGHTEN ALL BOLTS

TORQUE SETTINGS ISO Coarse Pitch M8=29Nm, M10=58Nm, M12=102Nm, M16=252Nm
ISO Fine Pitch M8=31Nm, M10=61Nm, M12=111Nm

THE VEHICLE MANUFACTURER'S SPECIFICATION FOR THE TRAILER WEIGHT AND NOSE LOAD LIMITS MUST BE OBSERVED.

FITTING DIAGRAM



IMPORTANT PRODUCT INFORMATION & GUARANTEE

(TO BE RETAINED WITH THE VEHICLE AND PASSED TO SUBSEQUENT OWNERS)

Thank you for purchasing a PCT Automotive product. Please read the following information carefully before fitting or using your PCT Automotive product.

GUARANTEE

We shall free of charge either repair or at our option replace defective goods where the defects appear

- i. if the goods are a towbar manufactured by us, during the economic lifetime of the vehicle it was first fitted to
- ii. in the case of all other products manufactured by us, within 3 years following the date of your order

PROVIDED THAT (in each case) such defects shall be found to our reasonable satisfaction to have arisen substantially from our faulty design, workmanship or materials and have not arisen by reason of a failure to follow our instructions (whether written or oral), any modification, misuse, neglect or interference with the installation, any damage or abuse to the goods or vehicle by impact or vandalism or by a failure to carry out reasonable inspection, maintenance and/or adjustment.

At all times, the above guarantee is subject to our standard terms and conditions of sale a copy of which is available upon request from our offices.

TOWING LIMITS

Our towbars have been designed for towing up to the vehicle manufacturer's maximum recommended trailer weight and nose load limits for your model. Towing with gross weights above that recommended at any time will invalidate the guarantee and cancel any liability for damage. Towing a twin axle trailer, towing over rough ground or using a bicycle/motorcycle carrier, etc, exerts extreme loads on to a towbar and extra care should be taken in these situations not to exceed the vehicle manufacturer's maximum recommended limits.

PRODUCT IDENTIFICATION MARK

Your product carries a product identification mark. This mark carries important product and batch code information and if the product is type approved it also carries the type approval details which are required by law. Under no circumstances should this mark be defaced, removed or damaged.

INSTALLATION, INSPECTION, MAINTENANCE AND ADJUSTMENT

GENERAL INSTALLATION

- ⇒ Products should only be fitted by competent persons.
- ⇒ Read the product fitting instructions carefully and check all components are included in the fitting kit before commencing installation.
- ⇒ Check vehicle for corrosion and/or accident damage. Towbars should not be fitted to any vehicle suffering from corrosion or accident damage or which is not in a roadworthy condition.
- ⇒ Clean off all road dirt, underseal and sound deadening mastic where parts are to fit to ensure correct seating of all components.
- ⇒ Bumper cut information is given as a guide only. Variations in models may occur therefore the fitter should always check that the bumper cut is necessary and of the correct size and shape before commencing with the cut.
- ⇒ All drilling swarf should be removed from the vehicle and all holes drilled in the vehicle should be treated with an appropriate rust inhibitor.
- ⇒ Do not fully tighten bolts before towbar is completely fitted unless instructed to do so in the fitting instruction, this will allow some variances to be overcome before final tightening of bolts.

PAINT & CORROSION

Towbars manufactured by PCT Automotive undergo a phosphate chemical pre-treatment prior to an epoxy/polyester powder coat finish being applied. For long lasting good looks and in order to prevent corrosion the towbar should be regularly inspected for paint damage and wherever necessary re-painted in an appropriate finishing paint or underseal. The vehicle should also be regularly checked for any corrosion that could affect the towbar installation. Towbars should not be used on any vehicle suffering from corrosion that could affect the towbar installation.

BOLTS

All towbar fixing bolts should be checked initially after the first 300 towing miles and then every 3,000 towing miles or to coincide with the vehicle manufacturer's recommended service intervals, whichever is the sooner, and should be tightened using an appropriate torque wrench to the settings specified in the towbar fitting instruction.

ELECTRICAL INSTALLATION, TEST/COMMISSIONING AND MAINTENANCE

Failure to comply with the following instructions may cause damage to the towing vehicle's wiring loom and/or towing electrics installation.

Where displacement tap connectors e.g. Scotchlocks, are the preferred method of connection, always use the correct colour coded tap connector for the size of cable to which it is to be connected. PCT Automotive's manufactured relays with integral cables should be connected using red tap connectors (0.5mm² to 1mm², conductor cross sectional area).

After installation of the 12N/12S sockets, prior to testing, a water displacement agent e.g. WD40 should be applied into the rear connection void through the water drain hole at the bottom of the sockets and also into the front pins under the socket flap. This socket maintenance should be carried out at least twice a year in the spring and autumn.

The towing electrics test procedure must be undertaken with the engine running. If any of the towing relays fail to function correctly, with the engine running and no other vehicle electrical systems turned on, check that the voltage across the vehicle's battery is between 13V and 14V approx, if this voltage is not correct, check the condition of the vehicle's battery/alternator.

Always ensure that the trailer/caravan/lighting board's own electrical systems are installed and functioning correctly before coupling to the vehicle's 12N/12S sockets.

Every six months (spring and autumn recommended) the battery and alternator of the vehicle should be checked to determine correct electrical functioning. All connections of the electrical installation including the earth should be checked for mechanical soundness and electrical quality. Plugs, sockets, relays and fixings should be checked for water ingress, mechanical soundness, electrical quality and general wear and tear.

Please complete the following information to validate the guarantee and for future reference.

VEHICLE OWNER NAME & ADDRESS:

VEHICLE MAKE & MODEL:

VEHICLE REGISTRATION NUMBER:

FITTER NAME & ADDRESS:

DATE TOWBAR FITTED:

If you have any comments or suggestions about the PCT Automotive product fitted to your vehicle, please address them to PCT Automotive, Holbrook Industrial Estate, Sheffield S20 3GH or email techsupport@pctautomotive.com
Your comments will help us in our aim to continually upgrade our products to meet the high standards expected by our customers.